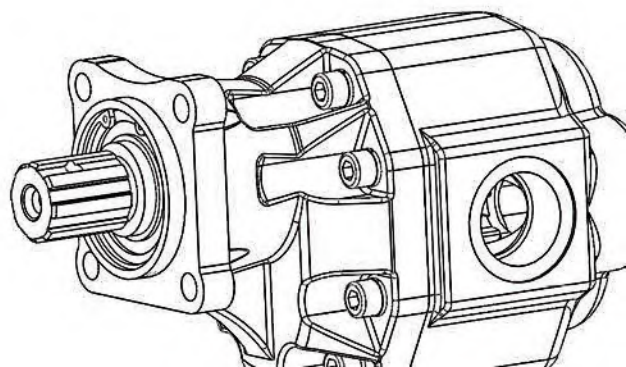


HENDERS  N Hydraulics[®]

Cast Iron Gear Pump



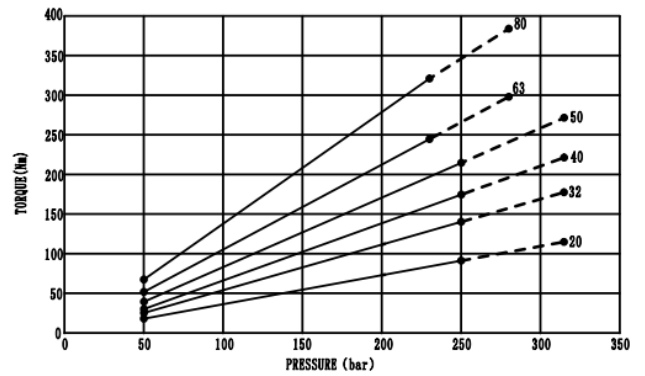
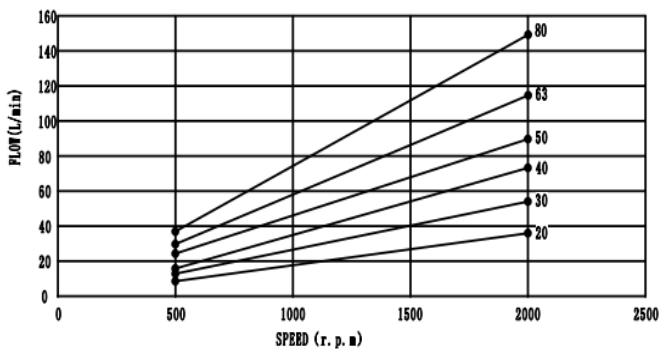
Cast iron gear pump 30 series



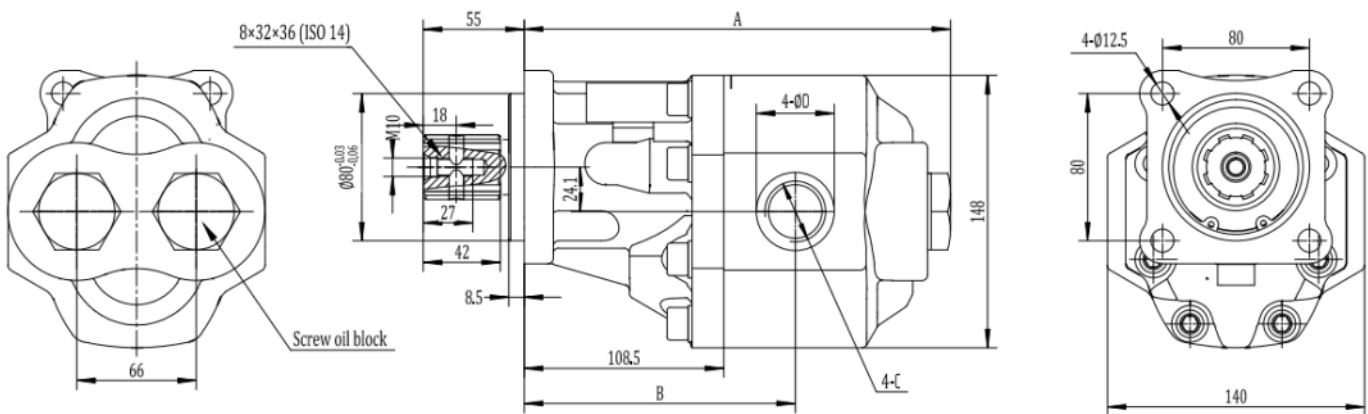
4 HOLES ISO LH SERIES

- ★ Two pieces housing in robust cast iron material
- ★ Auto-compensated by thrust plate
- ★ High sustained working pressure and long life
- ★ Anti-contamination
- ★ Medium-heavy duty applications .

performance curve



Outline Dimensions

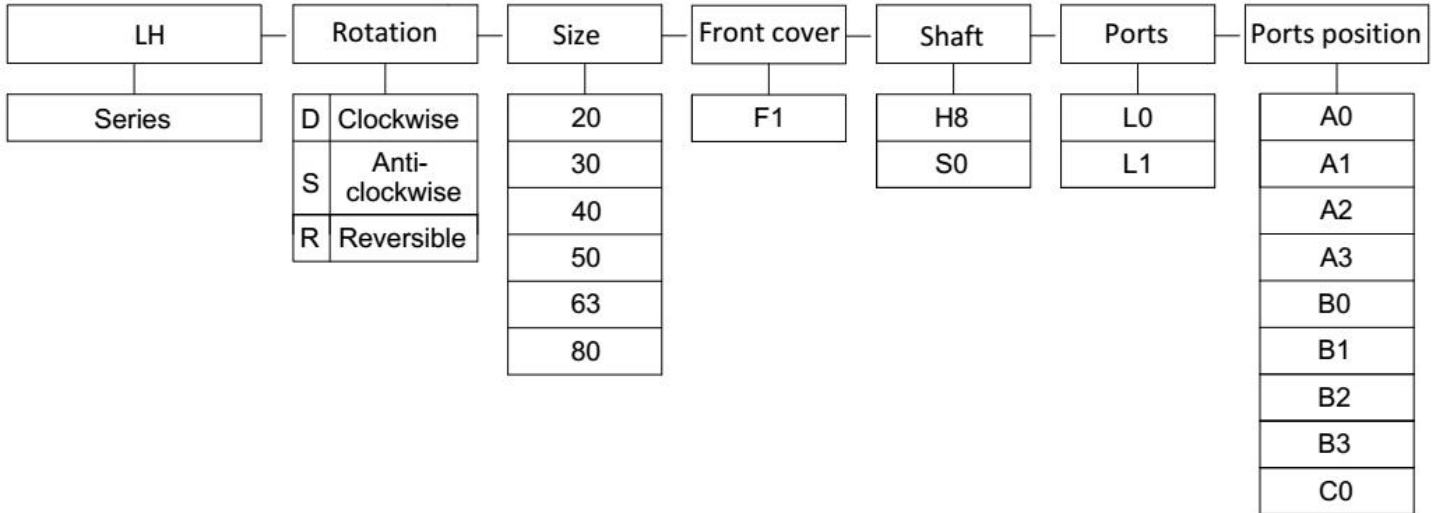


Specification

Type	Displacement (ml/r)	Max pressure			Max. continuous speed (r/min)	Max. intermittent speed (r/min)	Min.speed (r/min)	A (mm)	B (mm)	D (mm)	C Inlet(Outlet)
		P1(bar)	P2(bar)	P3(bar)							
LH-R-20	20	250	280	315	2000	2500	500	200.5	133.5	36	G 3/4"
LH-R-30	30	250	280	315	2000	2500	500	207	136.5	36	G 3/4"
LH-R-40	40	250	280	315	2000	2500	500	210	142.5	36	G 3/4"
LH-R-50	50	250	280	315	2000	2500	500	214	142.5	42.5	G 1"
LH-R-63	63	230	250	280	2000	2500	500	221.5	143.5	42.5	G 1"
LH-R-80	80	230	250	280	2000	2500	500	228.5	147.5	42.5	G 1"

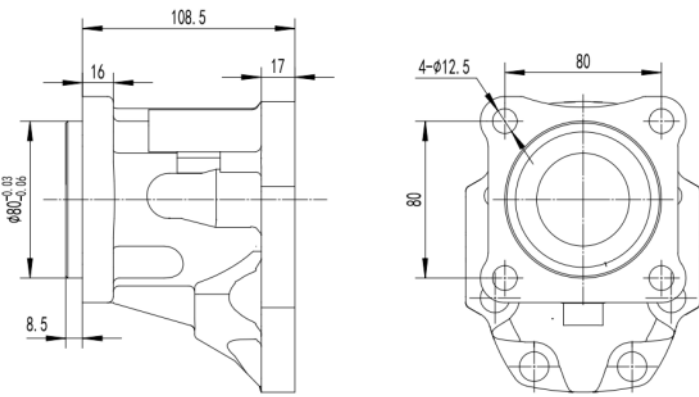
Cast iron gear pump 30 series

How to order



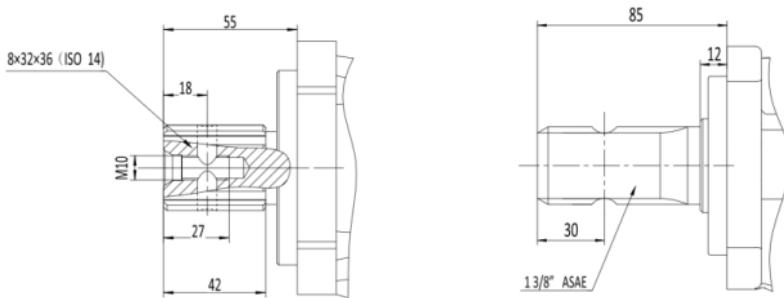
For example: LH -D-30F1H8L0A0

Front cover type



F1

Shaft type

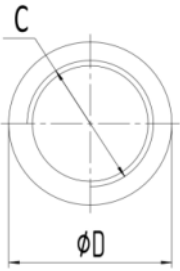


H8

S0

Cast iron gear pump 30 series

Port type



Type	Ports code	Inlet		Outlet	
		D	C	D	C
LH -* -20 ~ LH -* -40	L0	36	G 3/4"	36	G 3/4"
LH -* -40 ~ LH -* -80	L1	42.5	G 1"	42.5	G 1"

Remark: please contact us for more inlet/outlet specifications

Ports position



A0 (Two ports)



A1 (Two ports)



A2 (Two ports)



A3 (Two ports)



B0 (Three ports)



B1 (Three ports)



B2 (Three ports)



B3 (Three ports)



C0 (Four ports)

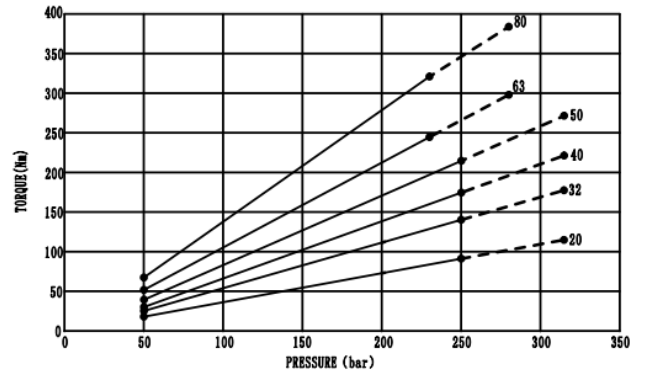
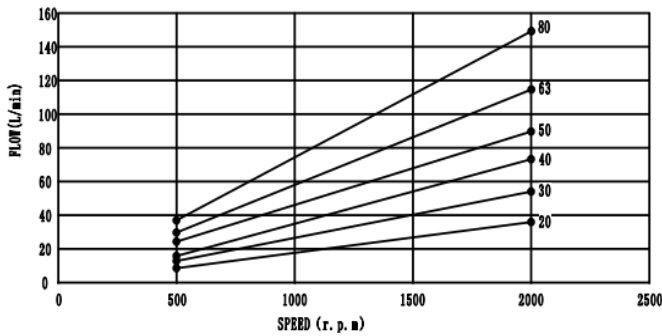
Cast iron gear pump 30 series



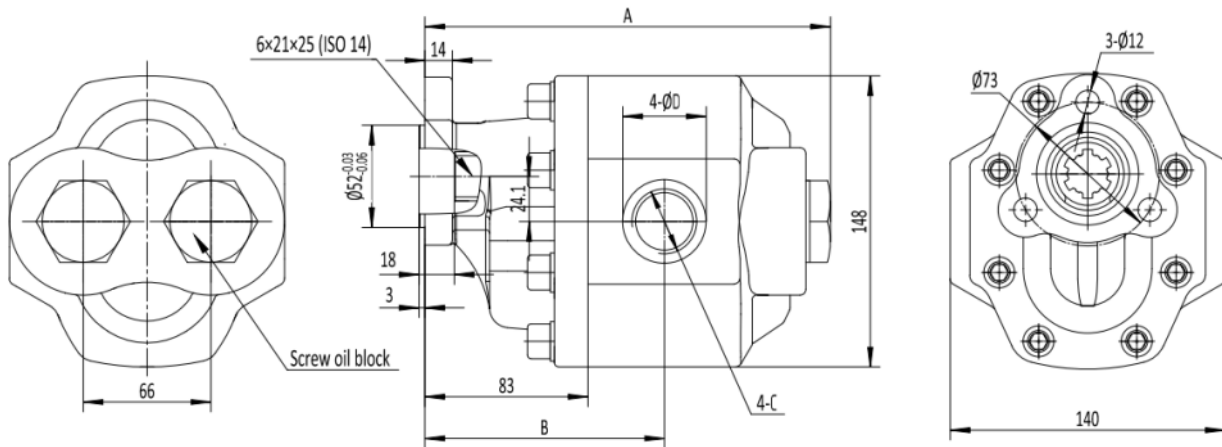
3 HOLES UNI LH SERIES

- ★ Two pieces housing in robust cast iron material
- ★ Auto-compensated by thrust plate
- ★ High sustained working pressure and long life
- ★ Anti-contamination
- ★ Medium-heavy duty applications .

performance curve



Outline Dimensions

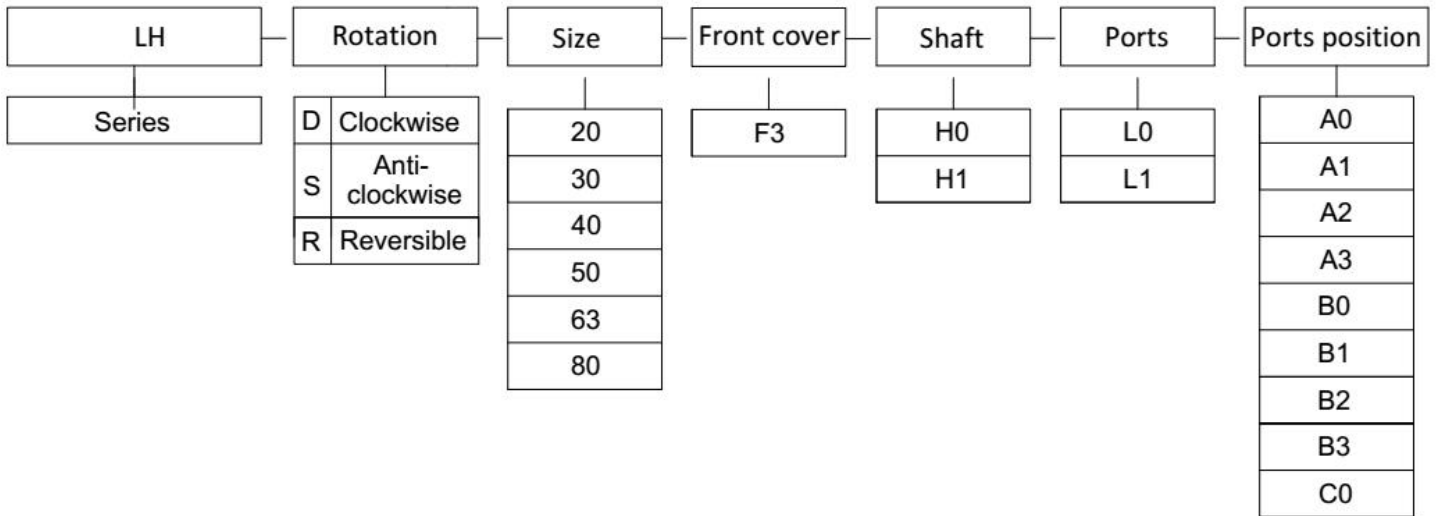


Specification

Type	Displacement (ml/r)	Max pressure			Max. continuous speed (r/min)	Max. intermittent speed (r/min)	Min.speed (r/min)	A (mm)	B (mm)	D (mm)	C Inlet/Outlet
		P1(bar)	P2(bar)	P3(bar)							
LH-R-20	20	250	280	315	2000	2500	500	200.5	133.5	36	G 3/4"
LH-R-30	30	250	280	315	2000	2500	500	207	136.5	36	G 3/4"
LH-R-40	40	250	280	315	2000	2500	500	210	142.5	36	G 3/4"
LH-R-50	50	250	280	315	2000	2500	500	214	142.5	42.5	G 1"
LH-R-63	63	230	250	280	2000	2500	500	221.5	143.5	42.5	G 1"
LH-R-80	80	230	250	280	2000	2500	500	228.5	147.5	42.5	G 1"

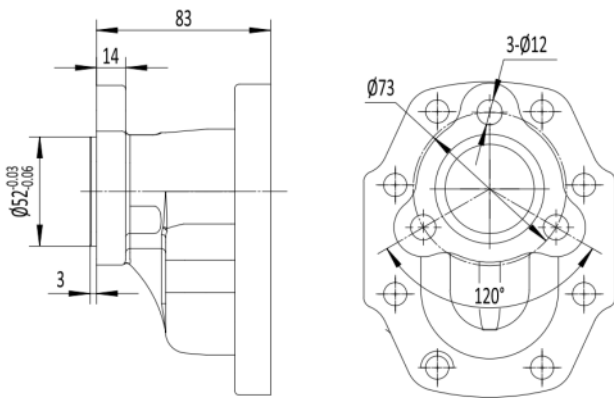
Cast iron gear pump 30 series

How to order



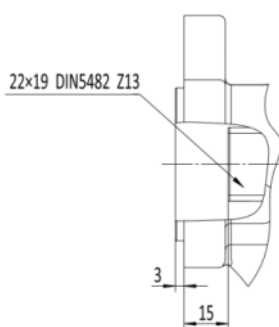
For example: LH -D-63F3H1L1B0

Front cover type

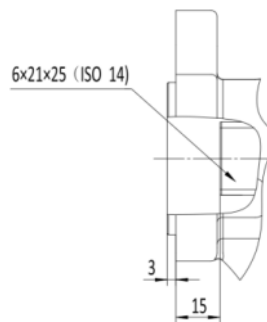


F3

Shaft type



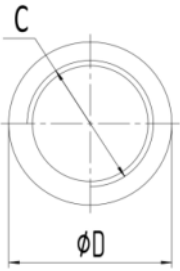
H0 (22×19 DIN5462 Z13)



H1 (6×21×25 ISO 14)

Cast iron gear pump 30 series

Port type



Type	Ports code	Inlet		Outlet	
		D	C	D	C
LH -* -20 ~ LH -* -40	L0	36	G 3/4"	36	G 3/4"
LH -* -40 ~ LH -* -80	L1	42.5	G 1"	42.5	G 1"

Remark: please contact us for more inlet/outlet specifications

Ports position



A0 (Two ports)



A1 (Two ports)



A2 (Two ports)



A3 (Two ports)



B0 (Three ports)



B1 (Three ports)



B2 (Three ports)



B3 (Three ports)



C0 (Four ports)

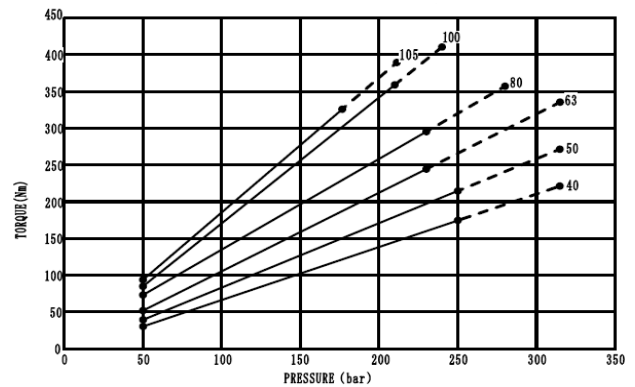
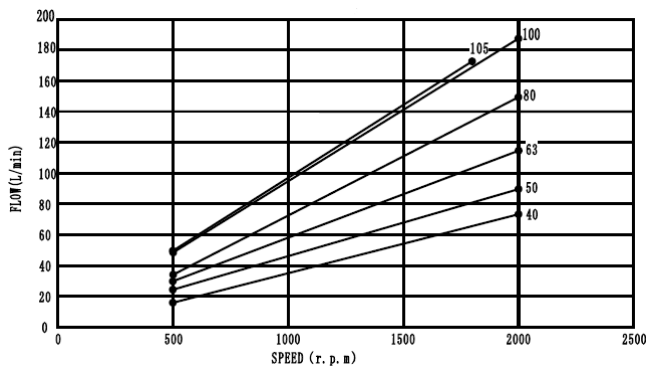
Cast iron gear pump 35 series



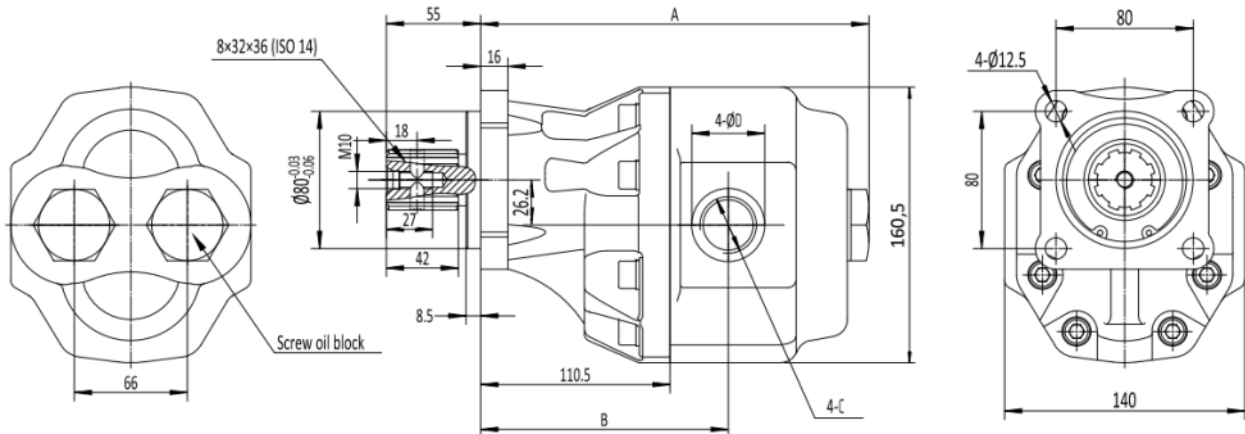
4 HOLES ISO MH SERIES

- ★ Two pieces housing in robust cast iron material
- ★ Auto-compensated by thrust plate
- ★ High sustained working pressure and long life
- ★ Anti-contamination
- ★ From Medium to heavy duty applications .

performance curve



Outline Dimensions



Specification

Type	Displacement (ml/r)	Max pressure			Max. continuous speed (r/min)	Max. intermittent speed (r/min)	Min.speed (r/min)	A (mm)	B (mm)	D (mm)	C Inlet(Outlet)
		P1(bar)	P2(bar)	P3(bar)							
MH-R-40	40	250	280	315	2000	2500	500	201	134.5	36	G 3/4"
MH-R-50	50	250	280	315	2000	2500	500	206.5	136	42.5	G 1"
MH-R-63	63	250	280	315	2000	2500	500	211.5	138.5	42.5	G 1"
MH-R-80	80	230	250	280	2000	2500	500	222.9	144	42.5	G 1"
MH-R-100	100	210	225	240	2000	2500	500	225.5	154	56	G 1 1/4"
MH-R-105	105	180	195	210	1800	2000	500	236.5	156.5	56	G 1 1/4"
MH-R-112	112	180	195	210	1800	2000	500	241.5	161.5	56	G 1 1/4"
MH-R-120	120	160	180	200	1800	2000	500	246	166	56	G 1 1/4"

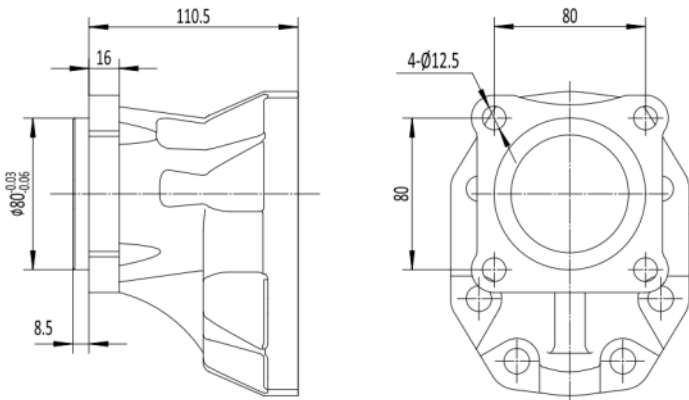
Cast iron gear pump 35 series

How to order

MH	Rotation	Size	Front cover	Shaft	Ports	Ports position
Series	D Clockwise S Anti-clockwise R Reversible	40 50 63 80 100 105 112 120	F4	H8 S1	L0 L1 L2	A0 A1 A2 A3 B0 B1 B2 B3 C0

For example: MH -R-100F4H8L2C0

Front cover type



F4

Shaft type

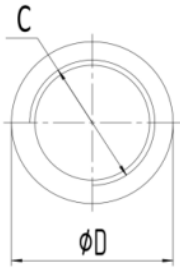


H8

S1

Cast iron gear pump 35 series

Port type



Type	Ports code	Inlet		Outlet	
		D	C	D	C
MH -* -40	L0	36	G 3/4"	36	G 3/4"
MH -* -50 ~ MH -* -80	L1	42.5	G 1"	42.5	G 1"
MH -* -100 ~ MH -* -120	L2	56	G 1 1/4"	56	G 1 1/4"

Remark: please contact us for more inlet/outlet specifications

Ports position



A0 (Two ports)



A1 (Two ports)



A2 (Two ports)



A3 (Two ports)



B0 (Three ports)



B1 (Three ports)



B2 (Three ports)



B3 (Three ports)



C0 (Four ports)

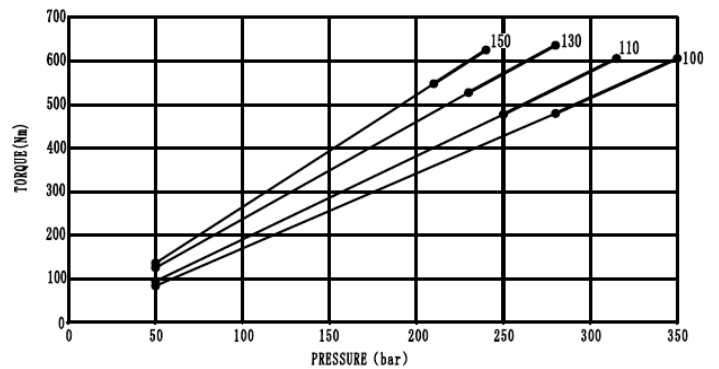
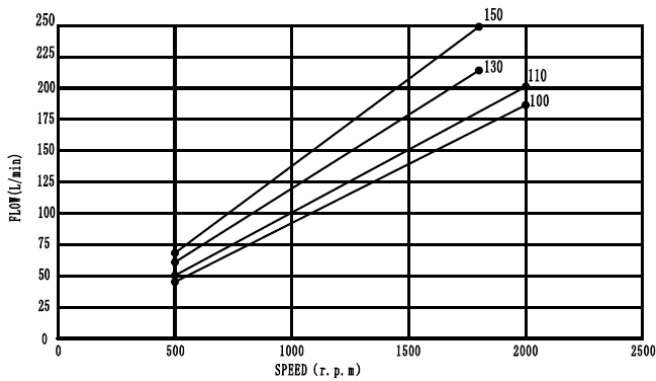
Cast iron gear pump 40 series



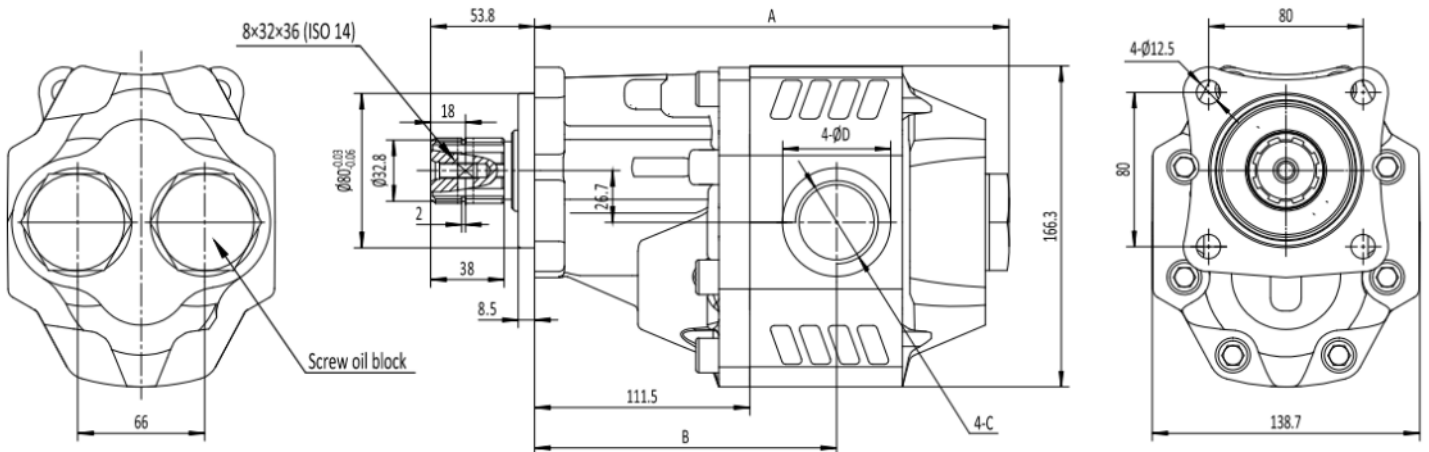
4 HOLES ISO GH SERIES

- ★ Two pieces housing in robust cast iron material
- ★ Auto-compensated by thrust plate
- ★ High sustained working pressure and long life
- ★ Anti-contamination
- ★ For heavy duty applications .

performance curve



Outline Dimensions

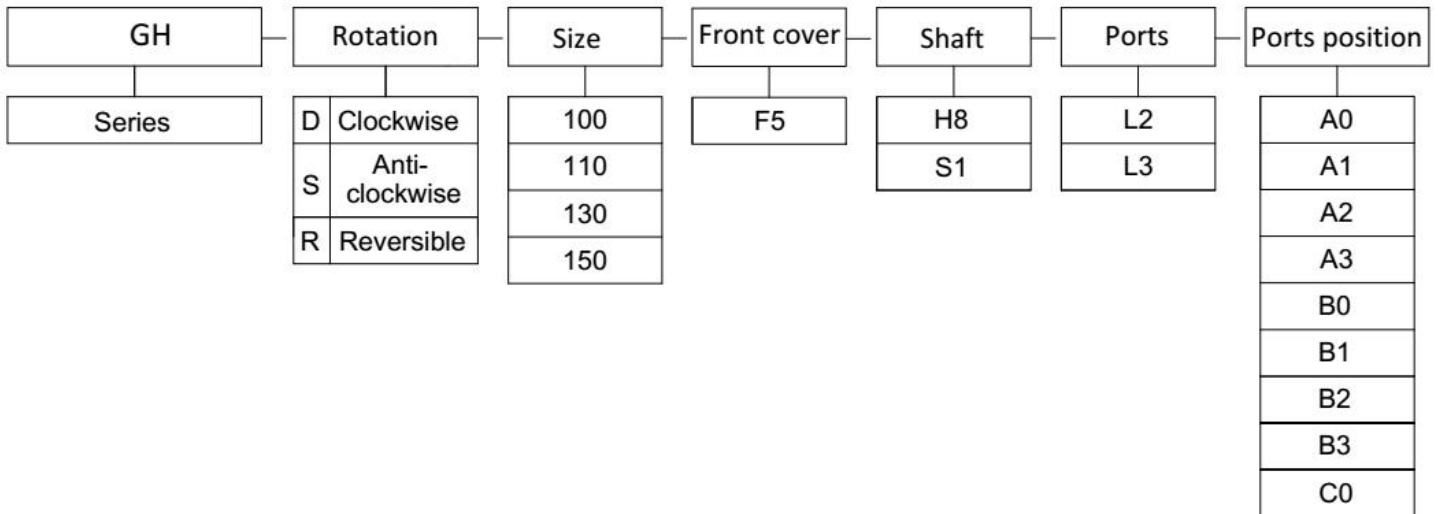


Specification

Type	Displacement (ml/r)	Max pressure			Max. continuous speed (r/min)	Max. intermittent speed (r/min)	Min.speed (r/min)	A (mm)	B (mm)	D (mm)	C Inlet(Outlet)
		P1(bar)	P2(bar)	P3(bar)							
GH-R-100	100	280	315	350	2000	2500	500	242.5	156.5	56	G 1 1/4"
GH-R-110	110	250	280	315	2000	2500	500	247.5	161.5	56	G 1 1/4"
GH-R-130	130	230	250	280	1800	2000	500	257	168	62	G 1 1/2"
GH-R-150	150	210	225	240	1500	1800	500	267.5	176.5	62	G 1 1/2"

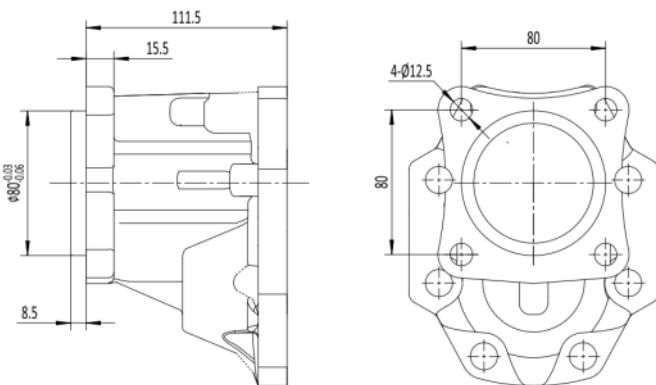
Cast iron gear pump 40 series

How to order



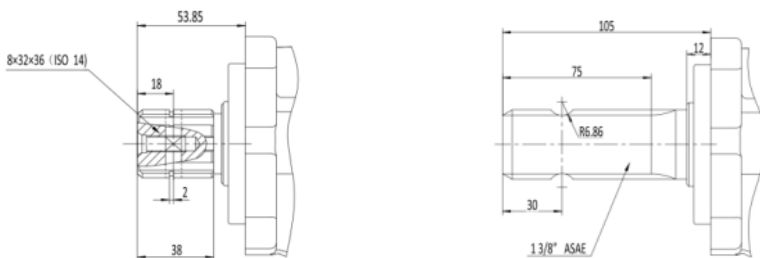
For example: GH -R-150F5H8L3A0

Front cover type



F5

Shaft type

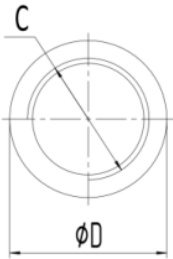


H8

S1

Cast iron gear pump 40 series

Port type



Type	Ports code	Inlet		Outlet	
		D	C	D	C
GH -* -100 ~ GH -* -110	L2	56	G 1 1/4"	56	G 1 1/4"
GH -* -130 ~ GH -* -150	L3	62	G 1 1/2"	62	G 1 1/2"

Remark: please contact us for more inlet/outlet specifications

Ports position



A0 (Two ports)



A1 (Two ports)



A2 (Two ports)



A3 (Two ports)



B0 (Three ports)



B1 (Three ports)



B2 (Three ports)



B3 (Three ports)



C0 (Four ports)

Remark: "C0" port position is only suitable for L2 ports, over 130cc(L3 port) we suggest 2 ports design

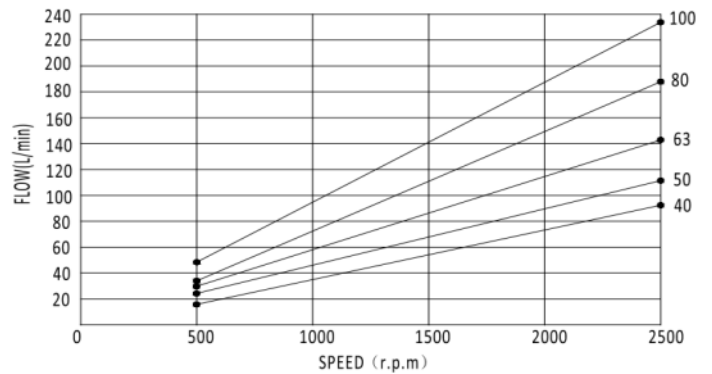
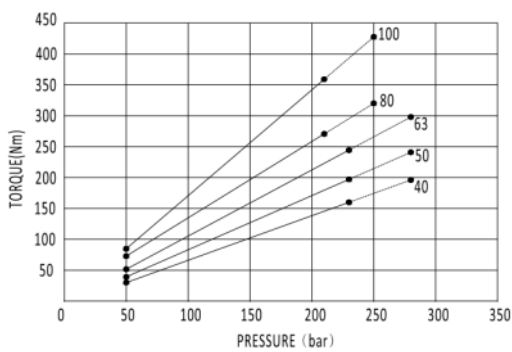
Cast iron gear pump 5100 series



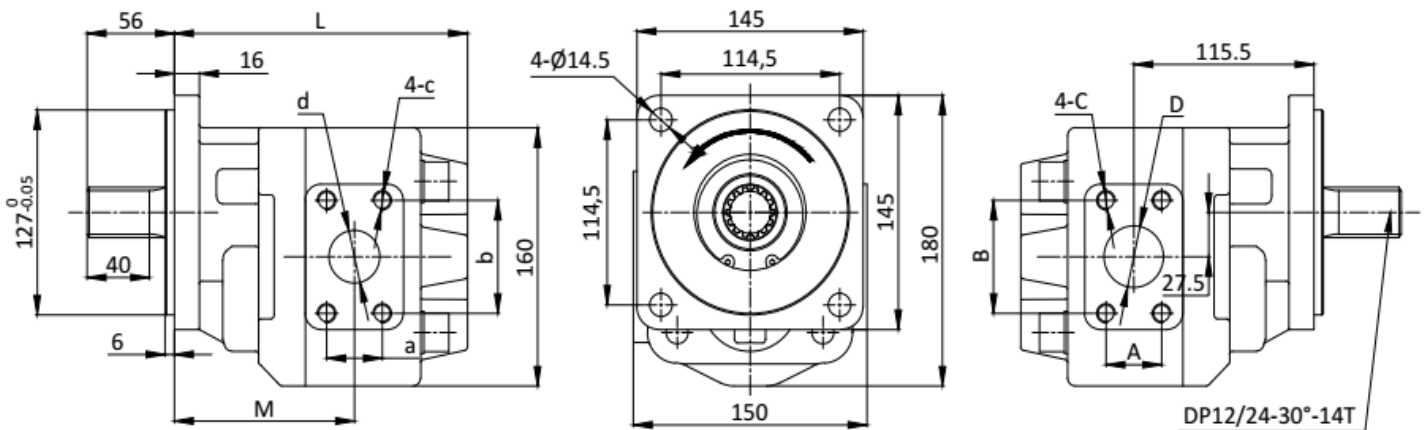
4 HOLES FP SERIES

- ★ Two pieces housing in robust cast iron material
- ★ Auto-compensated by thrust plate
- ★ High sustained working pressure and long life
- ★ Anti-contamination
- ★ Medium-heavy duty applications .

performance curve



Outline Dimensions

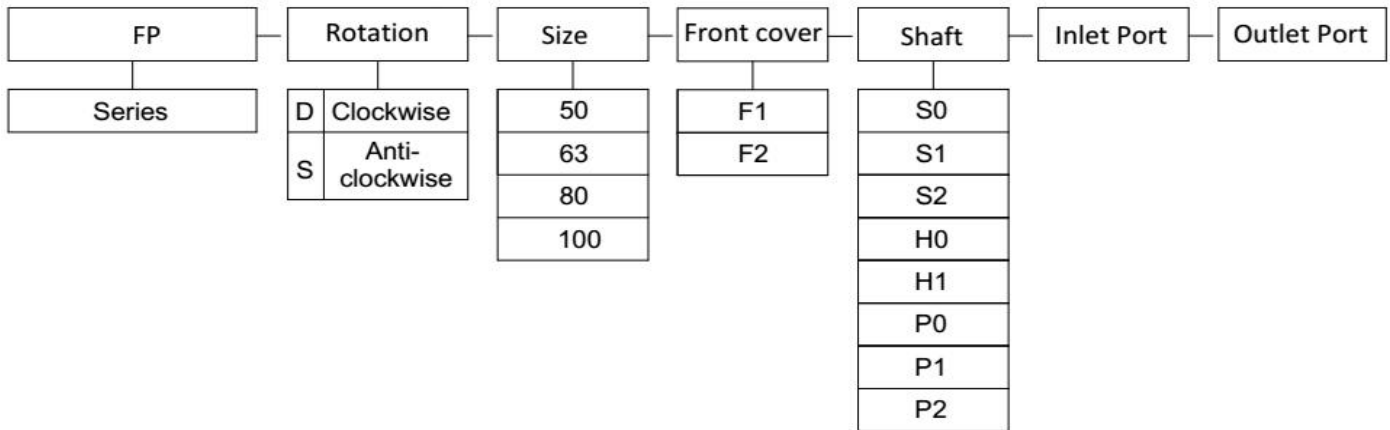


Specification

Type	Displacement (ml/r)	Max pressure			Max. speed (r/min)	Min. speed (r/min)	L (mm)	M (mm)	Inlet				Outlet			
		P1(bar)	P2(bar)	P3(bar)					A	B	C	D	a	b	c	d
FP-S-40	40	230	250	280	2500	500	172.5	113.7	26.2	52.4	M10	φ25	22.3	47.6	M10	φ20
FP-S-50	50	230	250	280	2500	500	177	116	26.2	52.4	M10	φ25	22.3	47.6	M10	φ20
FP-S-63	63	230	250	280	2500	500	182.5	123	30.2	58.7	M10	φ32	26.2	52.4	M10	φ25
FP-S-80	80	210	230	250	2500	500	191	123.5	35.7	69.9	M12	φ38	30.2	58.7	M10	φ32
FP-S-100	100	210	230	250	2500	500	202.5	135	35.7	69.9	M12	φ38	30.2	58.7	M10	φ32

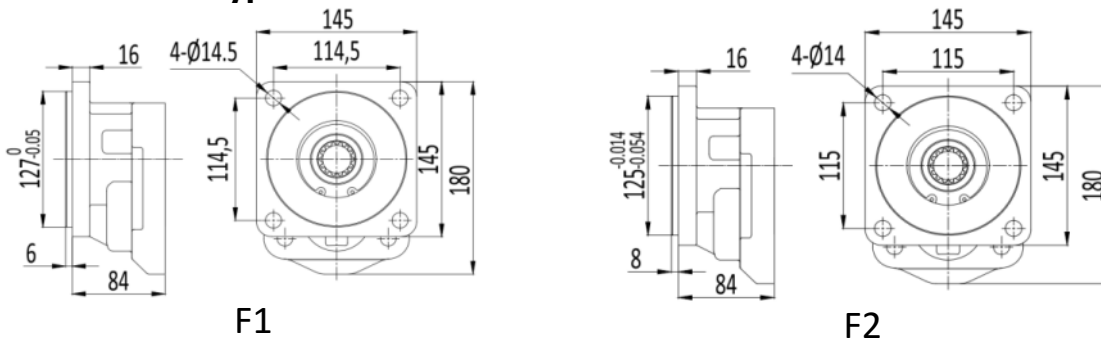
Cast iron gear pump 5100 series

How to order

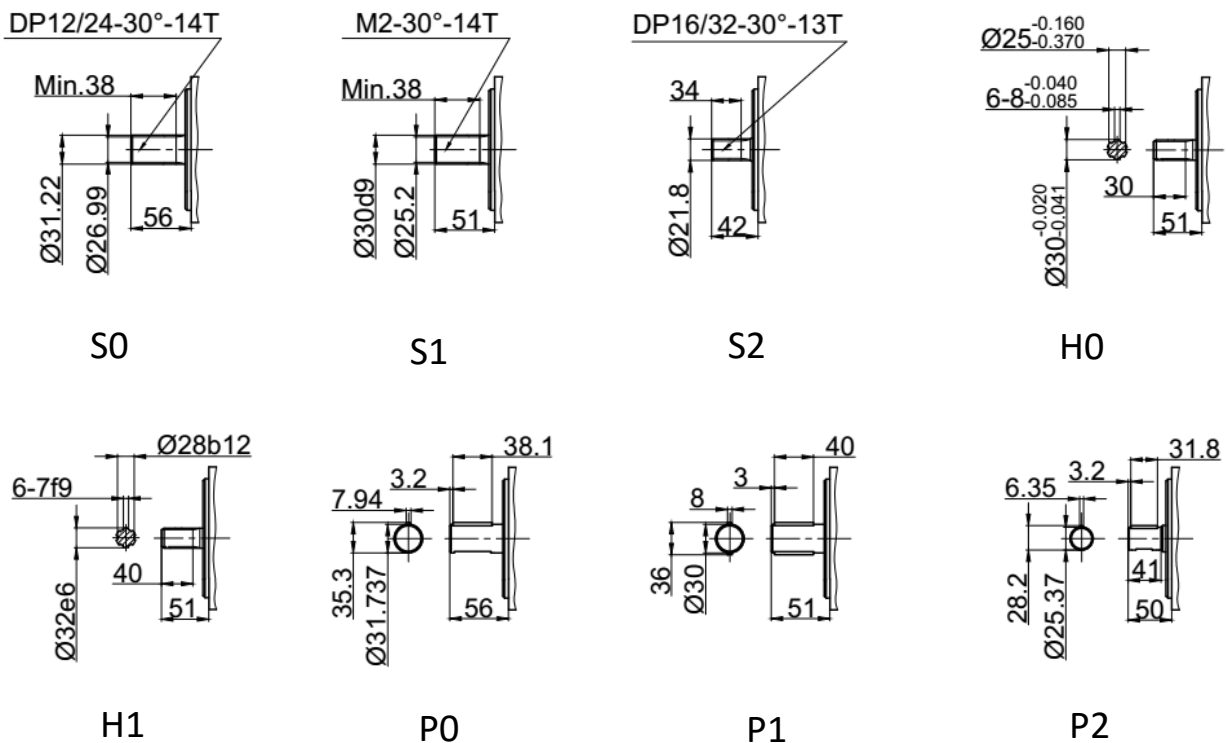


For example: FP -D-80F1S0U5U4

Front cover type

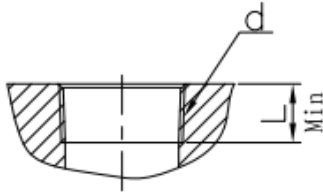


Shaft type

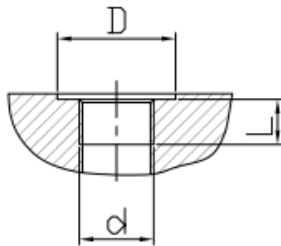


Cast iron gear pump 5100 series

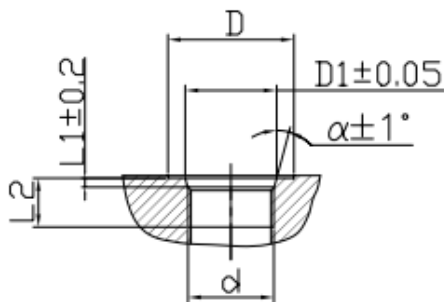
Port type



CODE	d	L
N1	NPT 1/16"	8
N2	NPT 1/8"	8
N3	NPT 1/4"	9
N4	NPT 3/8"	10
N5	NPT 1/2"	12
N6	NPT 3/4"	14
N7	NPT 1"	14
N8	NPT 1-1/4"	16
N9	NPT 1-1/2"	16
N10	NPT 2"	18



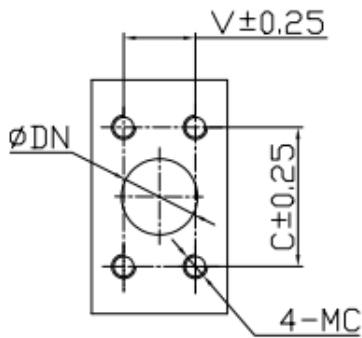
CODE	d	D	L
L1	G 2"	Φ78	24
L2	G 1-1/2"	Φ64	22
L3	G 1-1/4"	Φ58	20
L4	G 1"	Φ50	18
L5	G 7/8"	Φ44	19
L6	G 3/4"	Φ42	16
L7	G 1/2"	Φ35	14
L8	G 3/8"	Φ30	12
L9	G 1/4"	Φ26	12



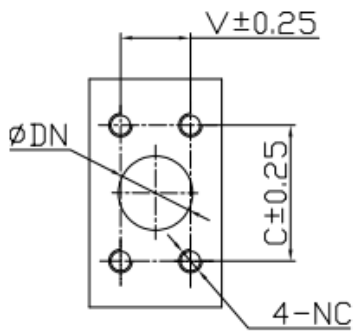
CODE	d	D	D1	L1	L2	a
J1	2-1/2-12UN-2B	Φ88	Φ65.75	3.5	19	15°
J2	1-7/8-12UN-2B	Φ65	Φ49.9	3.5	19	15°
J3	1-5/8-12UN-2B	Φ58	Φ43.55	3.5	19	15°
J4	1-5/16-12UN-2B	Φ49	Φ35.55	3.5	19	15°
J5	1-3/16-12UN-2B	Φ45	Φ32.4	3.5	19	15°
J6	1-1/16-12UN-2B	Φ41	Φ29.2	3.5	19	15°
J7	7/8-14UNF-2B	Φ40	Φ24	2.7	17	15°
J8	3/4-16UNF-2B	Φ30	Φ20.65	2.7	15	15°
J9	9/16-18UNF-2B	Φ25	Φ15.7	2.7	13	12°
J10	7/16-20UNF-2B	Φ23	Φ12.45	2.6	12	12°

Cast iron gear pump 5100 series

Port type



CODE	DN	C	V	MC
M1	12.7	38.1	17.5	M8
M2	19.1	47.6	22.3	M10
M3	25.4	52.4	26.2	M10
M4	31.8	58.7	30.2	M10
M5	38.1	69.9	35.7	M12
M6	50.8	77.8	42.9	M12
M7	63.5	88.9	50.8	M12



CODE	DN	C	V	NC
U1	1/2"	38.1	17.5	5/16-18UNC
U2	3/4"	47.6	22.3	3/8-16UNC
U3	1"	52.4	26.2	3/8-16UNC
U4	1-1/4"	58.7	30.2	7/16-14UNC
U5	1-1/2"	69.9	35.7	1/2-13UNC
U6	2"	77.8	42.9	1/2-13UNC
U7	1-1/2"	88.9	50.8	1/2-13UNC

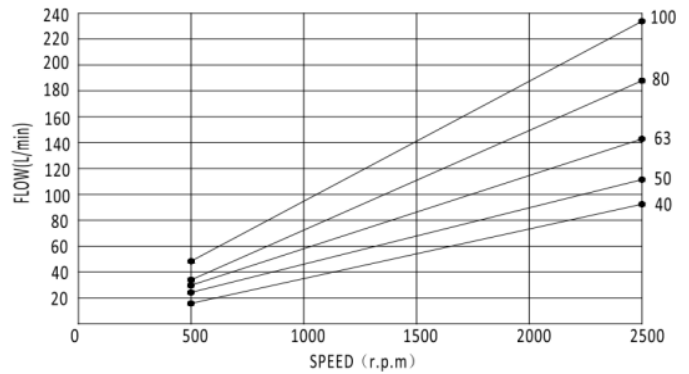
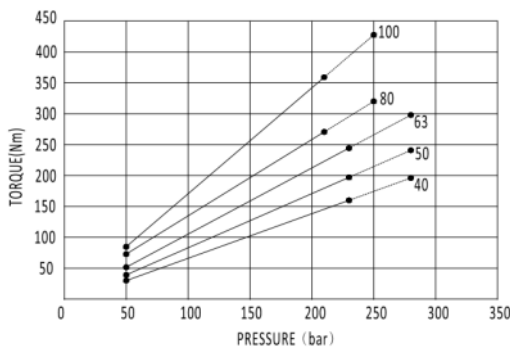
Cast iron gear motor 5100 series



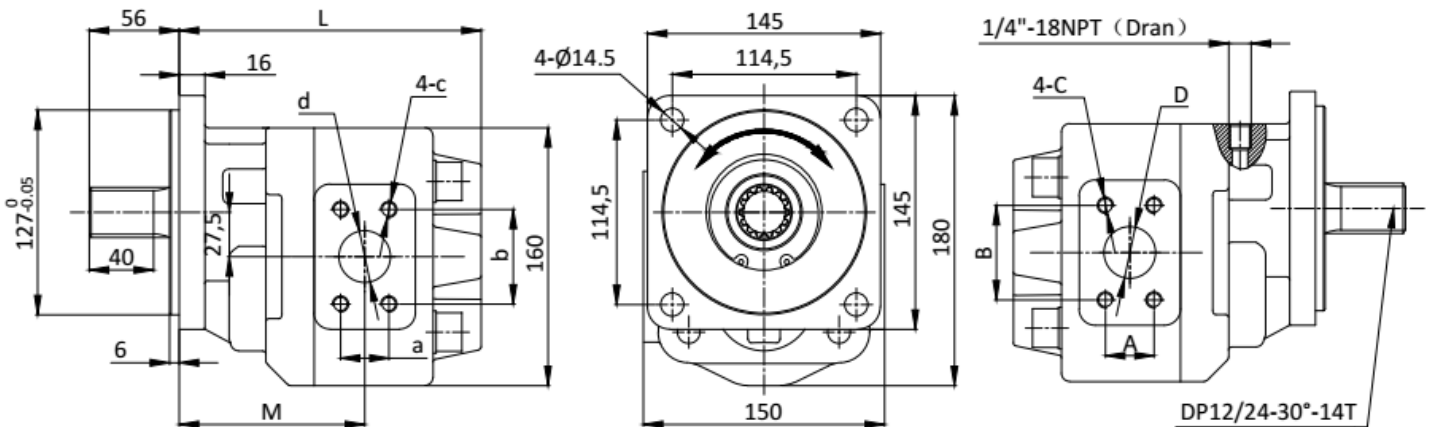
4 HOLES FP SERIES

- ★ Two pieces housing in robust cast iron material
- ★ Auto-compensated by thrust plate
- ★ High sustained working pressure and long life
- ★ Anti-contamination
- ★ Medium-heavy duty applications .

performance curve



Outline Dimensions

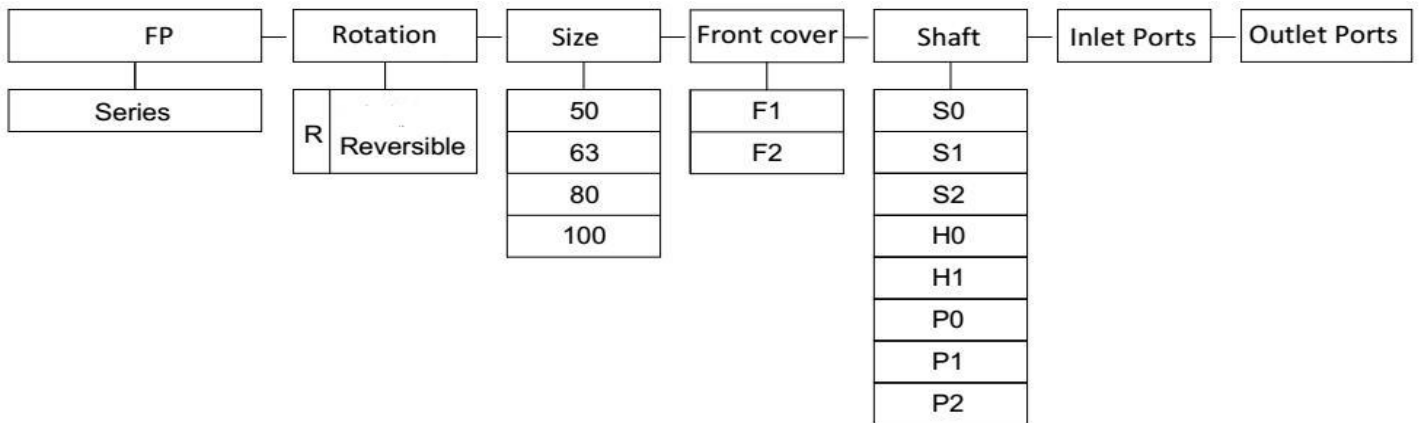


Specification

Type	Displacement (ml/r)	Max pressure			Max. speed (r/min)	Min. speed (r/min)	L (mm)	M (mm)	Inlet				Outlet			
		P1(bar)	P2(bar)	P3(bar)					A	B	C	D	a	b	c	d
FP-R-40	40	230	250	280	2200	500	172.5	113.7	26	52	M10	φ25	26.2	52.4	M10	φ25
FP-R-50	50	230	250	280	2200	500	177	116	26	52	M10	φ25	26.2	52.4	M10	φ25
FP-R-63	63	230	250	280	2200	500	182.5	123	26	52	M10	φ25	26.2	52.4	M10	φ25
FP-R-80	80	210	230	250	2200	500	191	123.5	30	59	M10	φ32	30.2	58.7	M10	φ32
FP-R-100	100	210	230	250	2200	500	202.5	135	30	59	M10	φ32	30.2	58.7	M10	φ32

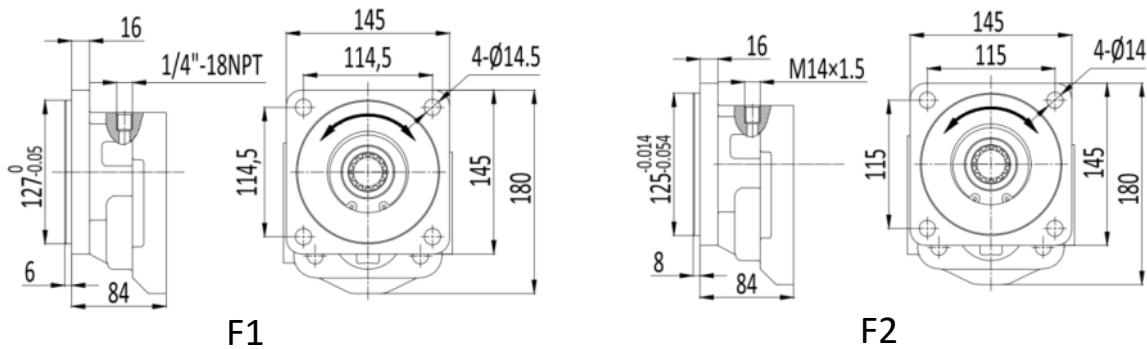
Cast iron gear motor 5100 series

How to order



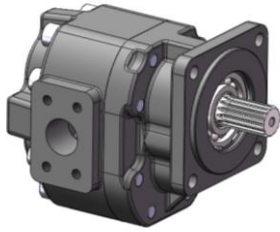
For example: FP -D-80F1S0J6J7

Front cover type



Remark: the shaft type and ports type please refer to pump 5100 page

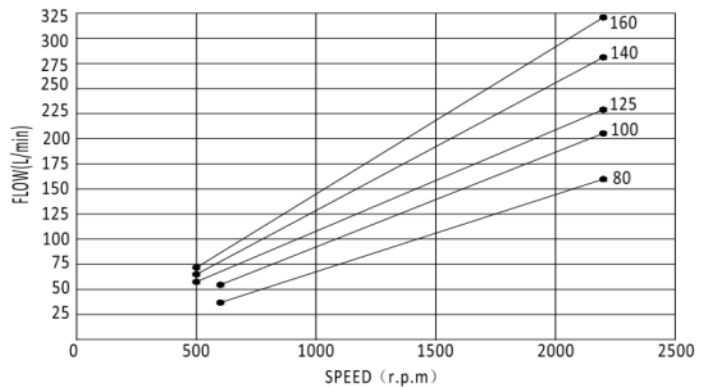
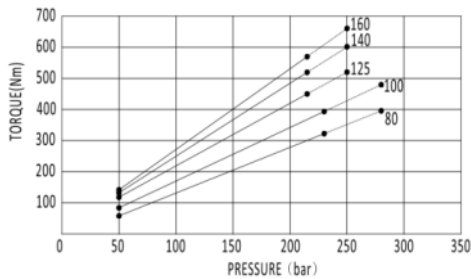
Cast iron gear pump 7600 series



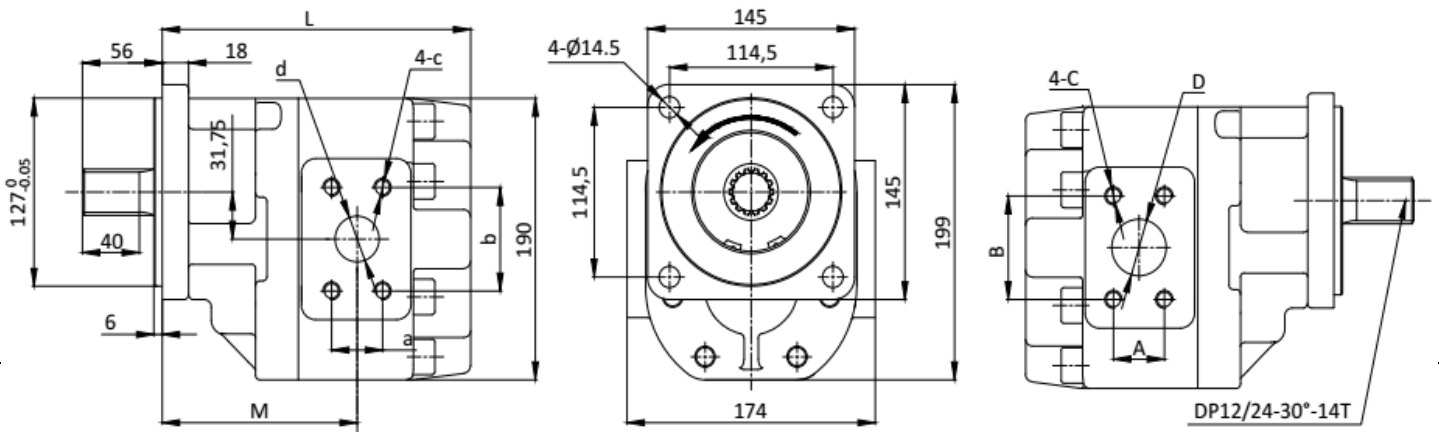
4 HOLES HP SERIES

- ★ Two pieces housing in robust cast iron material
- ★ Auto-compensated by thrust plate
- ★ High sustained working pressure and long life
- ★ Anti-contamination
- ★ Medium-heavy duty applications .

performance curve



Outline Dimensions

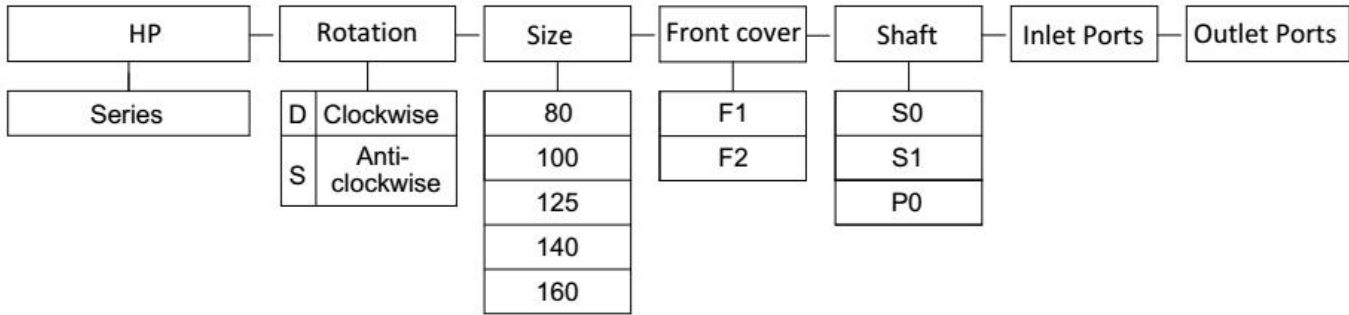


Specification

Type	Displacement (ml/r)	Max pressure			Max. speed (r/min)	Min. speed (r/min)	L (mm)	M (mm)	Inlet				Outlet			
		P1(bar)	P2(bar)	P3(bar)					A	B	C	D	a	b	c	d
HP-D-80	80	230	250	280	2200	600	199.5	120.5	35.7	69.9	M12	φ38	30.2	58.7	M10	φ32
HP-D-100	100	230	250	280	2200	600	207.5	127.5	35.7	69.9	M12	φ38	30.2	58.7	M10	φ32
HP-D-125	125	210	230	250	2200	500	218.5	131.5	42.9	77.8	M12	φ50	30.2	58.7	M10	φ32
HP-D-140	140	210	230	250	2200	500	224.5	134	42.9	77.8	M12	φ50	30.2	58.7	M10	φ32
HP-D-160	160	210	230	250	2200	500	232.5	139.5	42.9	77.8	M12	φ50	30.2	58.7	M10	φ32

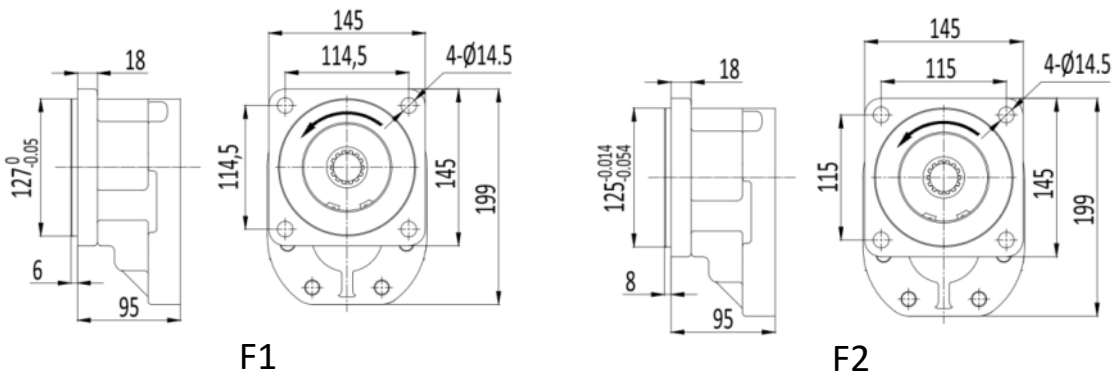
Cast iron gear pump 7600 series

How to order

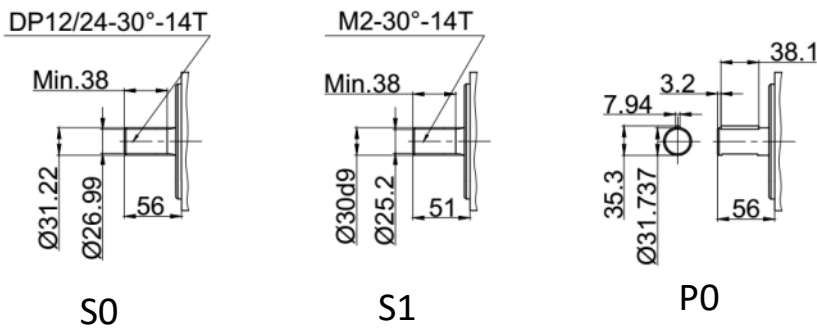


For example: FP -D-80F1S0L4L6

Front cover type

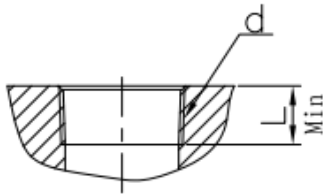


Shaft type

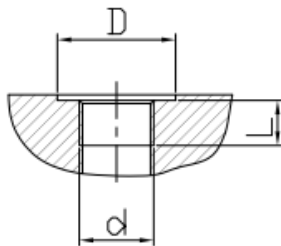


Cast iron gear pump 7600 series

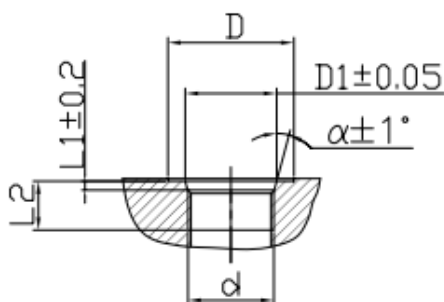
Port type



CODE	d	L
N1	NPT 1/16"	8
N2	NPT 1/8"	8
N3	NPT 1/4"	9
N4	NPT 3/8"	10
N5	NPT 1/2"	12
N6	NPT 3/4"	14
N7	NPT 1"	14
N8	NPT 1-1/4"	16
N9	NPT 1-1/2"	16
N10	NPT 2"	18



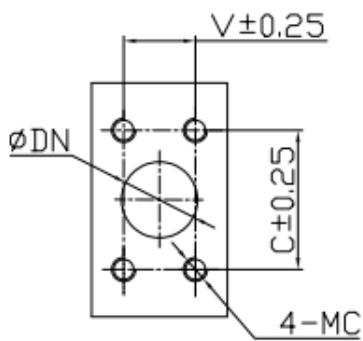
CODE	d	D	L
L1	G 2"	Φ 78	24
L2	G 1-1/2"	Φ 64	22
L3	G 1-1/4"	Φ 58	20
L4	G 1"	Φ 50	18
L5	G 7/8"	Φ 44	19
L6	G 3/4"	Φ 42	16
L7	G 1/2"	Φ 35	14
L8	G 3/8"	Φ 30	12
L9	G 1/4"	Φ 26	12



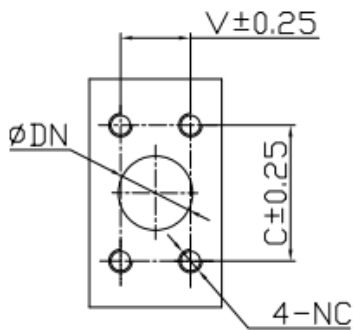
CODE	d	D	D1	L1	L2	a
J1	2-1/2-12UN-2B	Φ 88	Φ 65.75	3.5	19	15°
J2	1-7/8-12UN-2B	Φ 65	Φ 49.9	3.5	19	15°
J3	1-5/8-12UN-2B	Φ 58	Φ 43.55	3.5	19	15°
J4	1-5/16-12UN-2B	Φ 49	Φ 35.55	3.5	19	15°
J5	1-3/16-12UN-2B	Φ 45	Φ 32.4	3.5	19	15°
J6	1-1/16-12UN-2B	Φ 41	Φ 29.2	3.5	19	15°
J7	7/8-14UNF-2B	Φ 40	Φ 24	2.7	17	15°
J8	3/4-16UNF-2B	Φ 30	Φ 20.65	2.7	15	15°
J9	9/16-18UNF-2B	Φ 25	Φ 15.7	2.7	13	12°
J10	7/16-20UNF-2B	Φ 23	Φ 12.45	2.6	12	12°

Cast iron gear pump 7600 series

Port type



CODE	DN	C	V	MC
M1	12.7	38.1	17.5	M8
M2	19.1	47.6	22.3	M10
M3	25.4	52.4	26.2	M10
M4	31.8	58.7	30.2	M10
M5	38.1	69.9	35.7	M12
M6	50.8	77.8	42.9	M12
M7	63.5	88.9	50.8	M12



CODE	DN	C	V	NC
U1	1/2"	38.1	17.5	5/16-18UNC
U2	3/4"	47.6	22.3	3/8-16UNC
U3	1"	52.4	26.2	3/8-16UNC
U4	1-1/4"	58.7	30.2	7/16-14UNC
U5	1-1/2"	69.9	35.7	1/2-13UNC
U6	2"	77.8	42.9	1/2-13UNC
U7	1-1/2"	88.9	50.8	1/2-13UNC

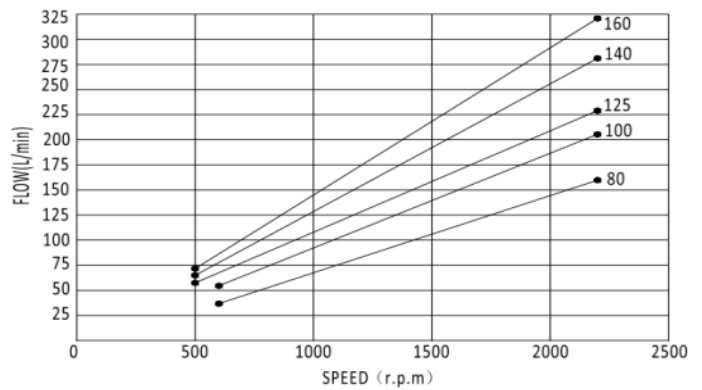
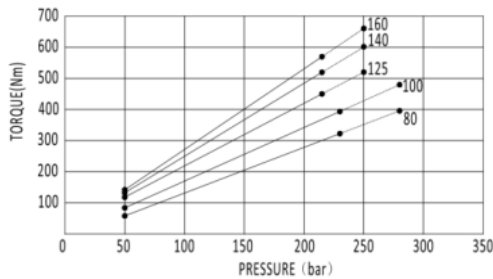
Cast iron gear motor 7600 series



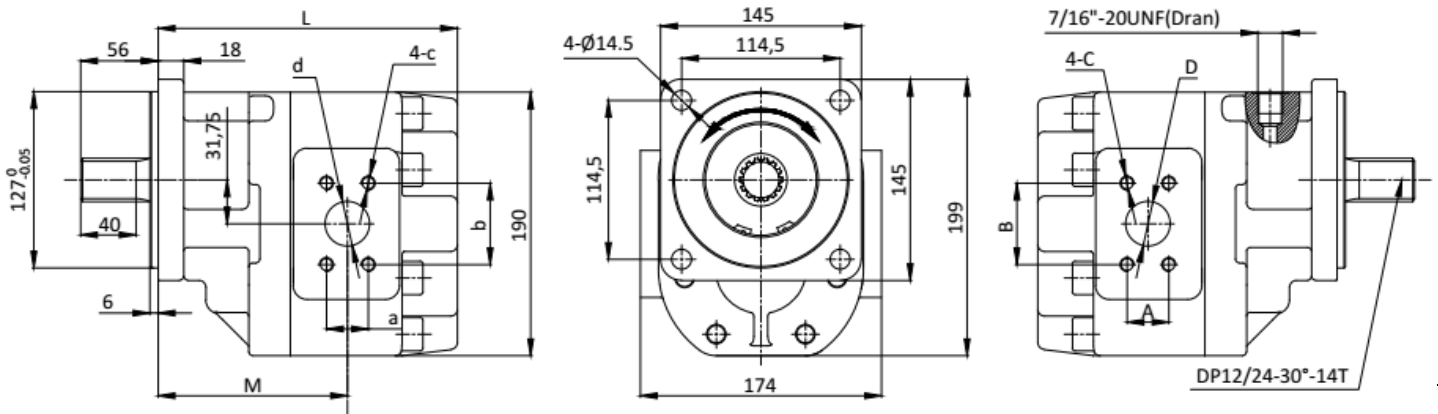
4 HOLES HP SERIES

- ★ Two pieces housing in robust cast iron material
- ★ Auto-compensated by thrust plate
- ★ High sustained working pressure and long life
- ★ Anti-contamination
- ★ Medium-heavy duty applications .

performance curve



Outline Dimensions

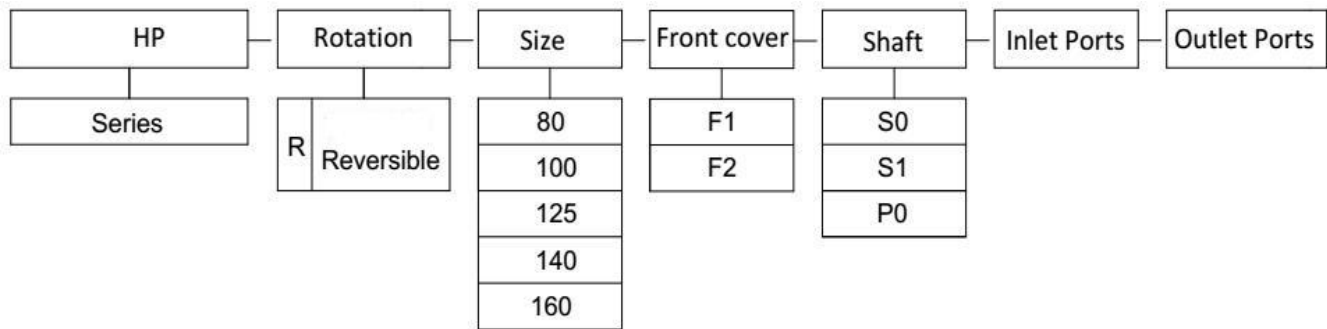


Specification

Type	Displacement (ml/r)	Max pressure			Max. speed (r/min)	Min. speed (r/min)	L (mm)	M (mm)	Inlet				Outlet			
		P1(bar)	P2(bar)	P3(bar)					A	B	C	D	a	b	c	d
HP-R-80	80	230	250	280	2200	600	199.5	120.5	30.2	58.7	M10	φ32	30.2	58.7	M10	φ32
HP-R-100	100	230	250	280	2200	600	207.5	127.5	30.2	58.7	M10	φ32	30.2	58.7	M10	φ32
HP-R-125	125	210	230	250	2200	500	218.5	131.5	35.7	69.9	M12	φ38	35.7	69.9	M12	φ38
HP-R-140	140	210	230	250	2200	500	224.5	134	35.7	69.9	M12	φ38	35.7	69.9	M12	φ38
HP-R-160	160	210	230	250	2200	500	232.5	139.5	42.9	77.8	M12	φ50	42.9	77.8	M12	φ50

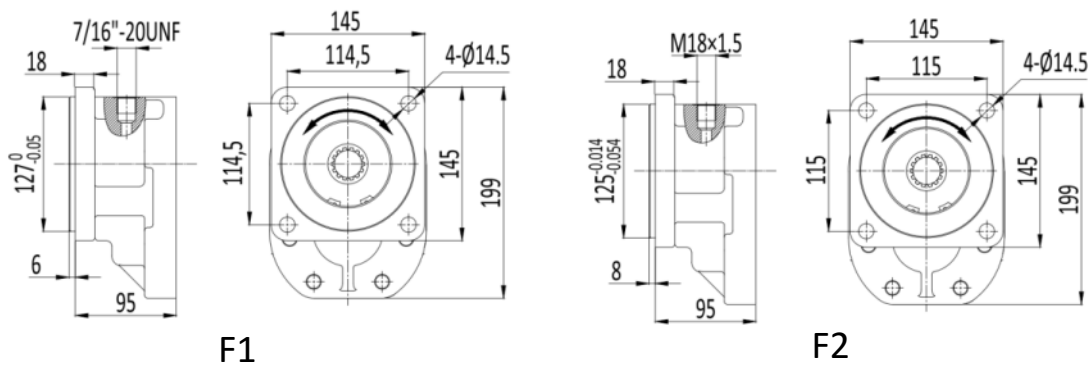
Cast iron gear motor 7600 series

How to order



For example: FP-D-80F1S0M5M4

Front cover type



Remark: the shaft type and ports type please refer to pump 7600 page